

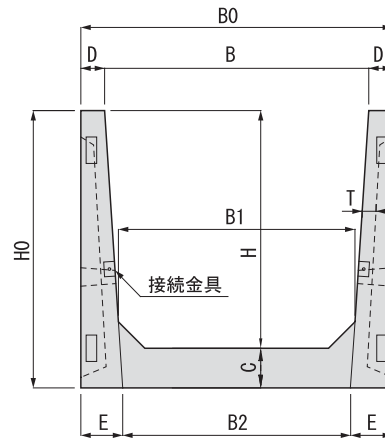
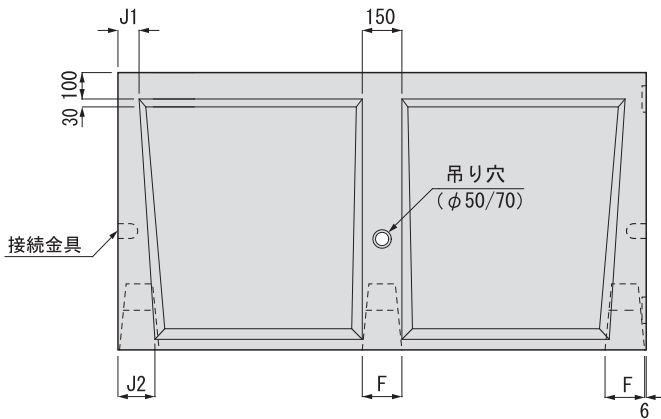
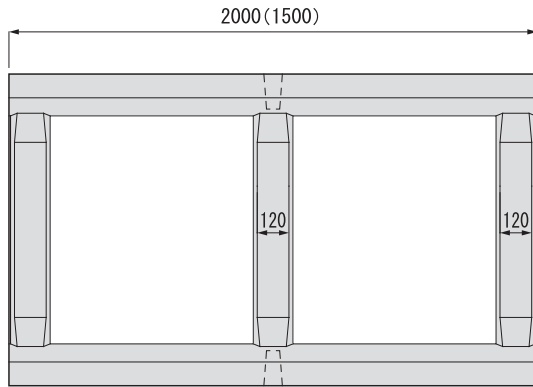
Hi-P柵渠・水路

■ 設計条件：7kN/m²(T-14)・10kN/m²(T-25)

主に道路の雨水排水溝の流末水路や小規模河川水路、農業用水路として使用します。

施工方法により、水路の河床を碎石もしくは土砂を敷き詰めただけの二面水路であればHi-P柵渠、河床にコンクリートを打設し三面水路にした場合はHi-P水路と呼びます。

※製品長さは水路高1000mmまでは2.0m、水路高1200mm以上は1.5mとなります。



()内は水路高(H)1200mm以上の数値です。

* 接続金具について
H600~1200mm 片側 2カ所
H1500mmのみ 片側 4カ所となります。

単位 (mm)

| 呼び名 水路幅×水路高 | 寸 法 | | | | | | | | | | | | | 参考重量(kg) | |
|----------------|------|-----|------|------|------|-----|-----|----|-----|-----|----|-----|----|--------------------|---------------------|
| | B | H | B0 | B1 | B2 | H0 | C | D | E | F | J1 | J2 | T | 7kN/m ² | 10kN/m ² |
| 500×600 | 500 | 600 | 660 | 440 | 410 | 750 | 150 | 80 | 125 | 150 | 80 | 140 | 50 | 559 | 560 |
| 600×600 | 600 | | 760 | 540 | 510 | | | | | | | | | 573 | 575 |
| 700×600 | 700 | | 860 | 640 | 610 | | | | | | | | | 588 | 589 |
| 800×600 | 800 | | 960 | 740 | 710 | | | | | | | | | 602 | 604 |
| 900×600 | 900 | | 1060 | 840 | 810 | | | | | | | | | 617 | 619 |
| 1000×600 | 1000 | | 1160 | 940 | 910 | | | | | | | | | 632 | 634 |
| 1100×600 | 1100 | | 1260 | 1040 | 1010 | | | | | | | | | 646 | 649 |
| 1200×600 | 1200 | | 1360 | 1140 | 1110 | | | | | | | | | 660 | 663 |
| 1300×600 | 1300 | | 1460 | 1240 | 1210 | | | | | | | | | 675 | 678 |
| 1400×600 | 1400 | | 1560 | 1340 | 1310 | | | | | | | | | 689 | 692 |
| 1500×600 | 1500 | | 1660 | 1440 | 1410 | | | | | | | | | 704 | 707 |
| 1600×600 | 1600 | | 1760 | 1540 | 1510 | | | | | | | | | 718 | 721 |
| 1700×600 | 1700 | | 1860 | 1640 | 1610 | | | | | | | | | 733 | 736 |
| 1800×600 | 1800 | | 1960 | 1740 | 1710 | | | | | | | | | 747 | 751 |
| 1900×600 | 1900 | | 2060 | 1840 | 1810 | | | | | | | | | 762 | 765 |
| 2000×600 | 2000 | | 2160 | 1940 | 1910 | | | | | | | | | 777 | 780 |
| 500×800 | 500 | 800 | 680 | 410 | 378 | 950 | 150 | 90 | 151 | 150 | 80 | 140 | 50 | 730 | 730 |
| 600×800 | 600 | | 780 | 510 | 478 | | | | | | | | | 744 | 744 |
| 700×800 | 700 | | 880 | 610 | 578 | | | | | | | | | 759 | 759 |
| 800×800 | 800 | | 980 | 710 | 678 | | | | | | | | | 774 | 774 |
| 900×800 | 900 | | 1080 | 810 | 778 | | | | | | | | | 788 | 788 |
| 1000×800 | 1000 | | 1180 | 910 | 878 | | | | | | | | | 803 | 803 |
| 1100×800 | 1100 | | 1280 | 1010 | 978 | | | | | | | | | 817 | 818 |
| 1200×800 | 1200 | | 1380 | 1110 | 1078 | | | | | | | | | 832 | 833 |
| 1300×800 | 1300 | | 1480 | 1210 | 1178 | | | | | | | | | 846 | 847 |
| 1400×800 | 1400 | | 1580 | 1310 | 1278 | | | | | | | | | 861 | 862 |
| 1500×800 | 1500 | | 1680 | 1410 | 1378 | | | | | | | | | 876 | 877 |
| 1600×800 | 1600 | | 1780 | 1510 | 1478 | | | | | | | | | 890 | 891 |
| 1700×800 | 1700 | | 1880 | 1610 | 1578 | | | | | | | | | 905 | 906 |
| 1800×800 | 1800 | | 1980 | 1710 | 1678 | | | | | | | | | 919 | 920 |
| 1900×800 | 1900 | | 2080 | 1810 | 1778 | | | | | | | | | 934 | 935 |
| 2000×800 | 2000 | | 2180 | 1910 | 1878 | | | | | | | | | 948 | 950 |

Hi-P 柵渠・水路

単位 (mm)

| 呼び名 水路幅×水路高 | 寸法 | | | | | | | | | | | | | 参考重量 (kg) | |
|----------------|------|------|------|------|------|------|-----|-----|-------|-----|-----|-----|----|--------------------|---------------------|
| | B | H | B0 | B1 | B2 | H0 | C | D | E | F | J1 | J2 | T | 7kN/m ² | 10kN/m ² |
| 600×900 | 600 | 900 | 780 | 496 | 463 | 1050 | 150 | 90 | 158.5 | 150 | 80 | 140 | 50 | 818 | 820 |
| 700×900 | 700 | | 880 | 596 | 563 | | | | | | | | | 833 | 835 |
| 800×900 | 800 | | 980 | 696 | 663 | | | | | | | | | 847 | 849 |
| 900×900 | 900 | | 1080 | 796 | 763 | | | | | | | | | 862 | 864 |
| 1000×900 | 1000 | | 1180 | 896 | 863 | | | | | | | | | 876 | 879 |
| 1100×900 | 1100 | | 1280 | 996 | 963 | | | | | | | | | 891 | 894 |
| 1200×900 | 1200 | | 1380 | 1096 | 1063 | | | | | | | | | 905 | 909 |
| 1300×900 | 1300 | | 1480 | 1196 | 1163 | | | | | | | | | 922 | 926 |
| 1400×900 | 1400 | | 1580 | 1296 | 1263 | | | | | | | | | 934 | 938 |
| 1500×900 | 1500 | | 1680 | 1396 | 1363 | | | | | | | | | 949 | 953 |
| 1600×900 | 1600 | | 1780 | 1496 | 1463 | | | | | | | | | 966 | 968 |
| 1700×900 | 1700 | | 1880 | 1596 | 1563 | | | | | | | | | 980 | 982 |
| 1800×900 | 1800 | | 1980 | 1696 | 1663 | | | | | | | | | 995 | 997 |
| 1900×900 | 1900 | | 2080 | 1796 | 1763 | | | | | | | | | 1010 | 1012 |
| 2000×900 | 2000 | 2180 | 1896 | 1863 | 1025 | 1027 | | | | | | | | | |
| 600×1000 | 600 | 1000 | 800 | 483 | 450 | 1150 | 150 | 100 | 175 | 150 | 80 | 140 | 50 | 916 | 918 |
| 700×1000 | 700 | | 900 | 583 | 550 | | | | | | | | | 931 | 933 |
| 800×1000 | 800 | | 1000 | 683 | 650 | | | | | | | | | 945 | 947 |
| 900×1000 | 900 | | 1100 | 783 | 750 | | | | | | | | | 960 | 962 |
| 1000×1000 | 1000 | | 1200 | 883 | 850 | | | | | | | | | 975 | 977 |
| 1100×1000 | 1100 | | 1300 | 983 | 950 | | | | | | | | | 989 | 992 |
| 1200×1000 | 1200 | | 1400 | 1083 | 1050 | | | | | | | | | 1004 | 1006 |
| 1300×1000 | 1300 | | 1500 | 1183 | 1150 | | | | | | | | | 1019 | 1021 |
| 1400×1000 | 1400 | | 1600 | 1283 | 1250 | | | | | | | | | 1033 | 1036 |
| 1500×1000 | 1500 | | 1700 | 1383 | 1350 | | | | | | | | | 1048 | 1051 |
| 1600×1000 | 1600 | | 1800 | 1483 | 1450 | | | | | | | | | 1062 | 1066 |
| 1700×1000 | 1700 | | 1900 | 1583 | 1550 | | | | | | | | | 1077 | 1081 |
| 1800×1000 | 1800 | | 2000 | 1683 | 1650 | | | | | | | | | 1092 | 1096 |
| 1900×1000 | 1900 | | 2100 | 1783 | 1750 | | | | | | | | | 1106 | 1110 |
| 2000×1000 | 2000 | 2200 | 1883 | 1850 | 1121 | 1125 | | | | | | | | | |
| 600×1200 | 600 | 1200 | 820 | 456 | 424 | 1350 | 150 | 110 | 198 | 150 | 80 | 140 | 50 | 919 | 923 |
| 700×1200 | 700 | | 920 | 556 | 524 | | | | | | | | | 934 | 938 |
| 800×1200 | 800 | | 1020 | 656 | 624 | | | | | | | | | 949 | 952 |
| 900×1200 | 900 | | 1120 | 756 | 724 | | | | | | | | | 963 | 967 |
| 1000×1200 | 1000 | | 1220 | 856 | 824 | | | | | | | | | 978 | 984 |
| 1100×1200 | 1100 | | 1320 | 956 | 924 | | | | | | | | | 993 | 999 |
| 1200×1200 | 1200 | | 1420 | 1056 | 1024 | | | | | | | | | 1007 | 1014 |
| 1300×1200 | 1300 | | 1520 | 1156 | 1124 | | | | | | | | | 1022 | 1029 |
| 1400×1200 | 1400 | | 1620 | 1256 | 1224 | | | | | | | | | 1037 | 1044 |
| 1500×1200 | 1500 | | 1720 | 1356 | 1324 | | | | | | | | | 1051 | 1059 |
| 1600×1200 | 1600 | | 1820 | 1456 | 1424 | | | | | | | | | 1066 | 1074 |
| 1700×1200 | 1700 | | 1920 | 1556 | 1524 | | | | | | | | | 1081 | 1089 |
| 1800×1200 | 1800 | | 2020 | 1656 | 1624 | | | | | | | | | 1095 | 1104 |
| 1900×1200 | 1900 | | 2120 | 1756 | 1724 | | | | | | | | | 1110 | 1119 |
| 2000×1200 | 2000 | 2220 | 1856 | 1824 | 1125 | 1133 | | | | | | | | | |
| 600×1500 | 600 | 1500 | 860 | 419 | 380 | 1700 | 200 | 130 | 240 | 180 | 100 | 150 | 60 | 1399 | 1400 |
| 700×1500 | 700 | | 960 | 519 | 480 | | | | | | | | | 1421 | 1422 |
| 800×1500 | 800 | | 1060 | 619 | 580 | | | | | | | | | 1442 | 1443 |
| 900×1500 | 900 | | 1160 | 719 | 680 | | | | | | | | | 1464 | 1465 |
| 1000×1500 | 1000 | | 1260 | 819 | 780 | | | | | | | | | 1486 | 1489 |
| 1100×1500 | 1100 | | 1360 | 919 | 880 | | | | | | | | | 1507 | 1510 |
| 1200×1500 | 1200 | | 1460 | 1019 | 980 | | | | | | | | | 1529 | 1532 |
| 1300×1500 | 1300 | | 1560 | 1119 | 1080 | | | | | | | | | 1551 | 1554 |
| 1400×1500 | 1400 | | 1660 | 1219 | 1180 | | | | | | | | | 1572 | 1576 |
| 1500×1500 | 1500 | | 1760 | 1319 | 1280 | | | | | | | | | 1594 | 1597 |
| 1600×1500 | 1600 | | 1860 | 1419 | 1380 | | | | | | | | | 1616 | 1620 |
| 1700×1500 | 1700 | | 1960 | 1519 | 1480 | | | | | | | | | 1637 | 1641 |
| 1800×1500 | 1800 | | 2060 | 1619 | 1580 | | | | | | | | | 1659 | 1663 |
| 1900×1500 | 1900 | | 2160 | 1719 | 1680 | | | | | | | | | 1681 | 1685 |
| 2000×1500 | 2000 | 2260 | 1819 | 1780 | 1702 | 1707 | | | | | | | | | |